

JIS Marine Valves

RATER

MARINE BRONZE LIFT CHECK VALVE 5K

JIS F7356

船用青铜升降式止回阀 **5kgf/cm²**

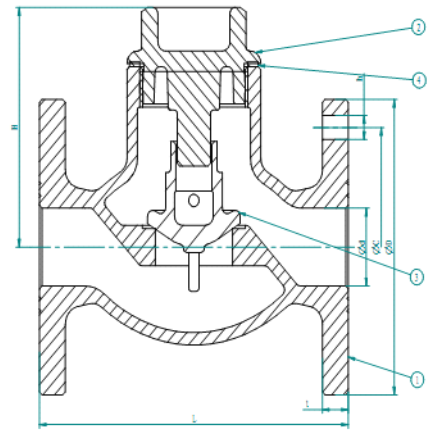
MATERIAL

| | |
|--------|-----------------|
| Body | Bronze |
| Bonnet | Bronze or Brass |
| Disc | Bronze |
| Seat | Bronze |
| Stem | Brass |

PICTURE



DRAWING



| | |
|----------------------------------|--|
| Pressure Rating | |
| Fluid condition | Maximum working pressure MPa(kgf/cm ²) |
| Oil&pulsation water | 0.49 (5) |
| Non-shock water of 120°C or less | 0.69 (7) |

| | |
|--------------------------------------|---|
| Hydraulic Inspection | |
| Watertight inspection for valve seat | 0.76MPa(7.7kgf/cm ²) To 0.39MPa(4kgf/cm ²) |
| Hydraulic Inspection for body | 1.03MPa(10.5kgf/cm ²) |

Technical Data

Manufactured in accordance to JIS F7400 • Flanges as per JIS B2220 - 5K •

DIMENSIONS

| CODE | SIZE | L | D | C | No. | h | t | H |
|-----------------|-----------|-----|-----|----|-----|----|----|----|
| 75 13 01 | 25 | 120 | 95 | 75 | 4 | 12 | 10 | 77 |
| 75 13 02 | 32 | 140 | 115 | 90 | 4 | 15 | 12 | 81 |
| 75 13 03 | 40 | 160 | 120 | 95 | 4 | 15 | 12 | 91 |

Notice: Unit (mm)