

JIS Marine Valves

RATER

MARINE BRONZE GLOBE VALVE 16K

JIS F7303

船用青铜截止阀 16kgf/cm²

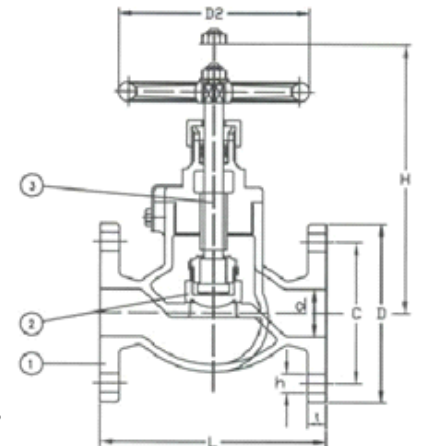
MATERIAL

Body	Bronze
Bonnet	Bronze or Brass
Disc	Bronze
Seat	Bronze
Stem	Brass
Handwheel	Cast iron

PICTURE



DRAWING



Pressure Rating	
Fluid condition	Maximum working pressure MPa(kgf/cm ²)
Steam of 205°C or less	1.57 (16)
Air, gas, oil & pulsation water	
Non-shock water of 120°C or less	2.16 (22)

Hydraulic Inspection	
Watertight inspection for valve seat	2.37MPa(24.2kgf/cm ²)
Hydraulic Inspection for body	3.24MPa(33.0kgf/cm ²)

Technical Data

Manufactured in accordance to JIS F7400 • Flanges as per JIS B2220 - 16K •

DIMENSIONS

CODE	DN	L	D	C	No.	h	t	H	D2
75 01 41	15	110	95	70	4	15	12	130	80
75 01 42	20	120	100	75	4	15	14	140	100
75 01 43	25	130	125	90	4	19	14	160	125
75 01 44	32	160	135	100	4	19	16	170	125
75 01 45	40	180	140	105	4	19	16	190	140

Notice: Unit (mm)