

JIS Marine Valves

RATER

F-type Shipbuilding-Fuel oil tank self-closing drain valves JIS F7398

船用青铜自闭式放泄阀 F 型 10kgf/cm²

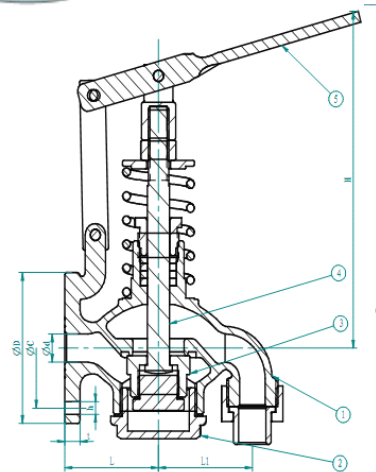
MATERIAL

Body	Bronze
Bonnet	Bronze or Brass
Disc	Bronze
Seat	Bronze
Stem	Brass
Handwheel	Cast steel

PICTURE



DRAWING



F-type

Press ure Rating		
Fluid condition	Maximum working pressure MPa(5kgf/cm ²)	Maximum working pressure MPa(10kgf/cm ²)
Steam of 205°C or less	0.49 (5)	0.98 (10)
Oil&pulsation water		
Non-shock water of 120°C or less	0.69 (7)	1.37 (14)

Hydraulic Inspection		
Watertight inspection for valve seat	0.75MPa(7.7kgf/cm ²)	0.69MPa(7kgf/cm ²)
Hydraulic Inspection for body	1.03MPa(10.5kgf/cm ²)	1.37MPa(14kgf/cm ²)

Technical Data

Manufactured in accordance to JIS F7400 • Flanges as per JIS B2220 - 5K •10K

DIMENSIONS

CODE	SIZE	L	D	C	No.	h	t	H
	5K15 F	110	80	60	4	12	9	179
	5K20 F	130	85	65	4	12	10	187
	10K20 F	130	100	75	4	15	14	187
	5K40 F	180	120	95	4	15	12	229

Notice: Unit (mm)